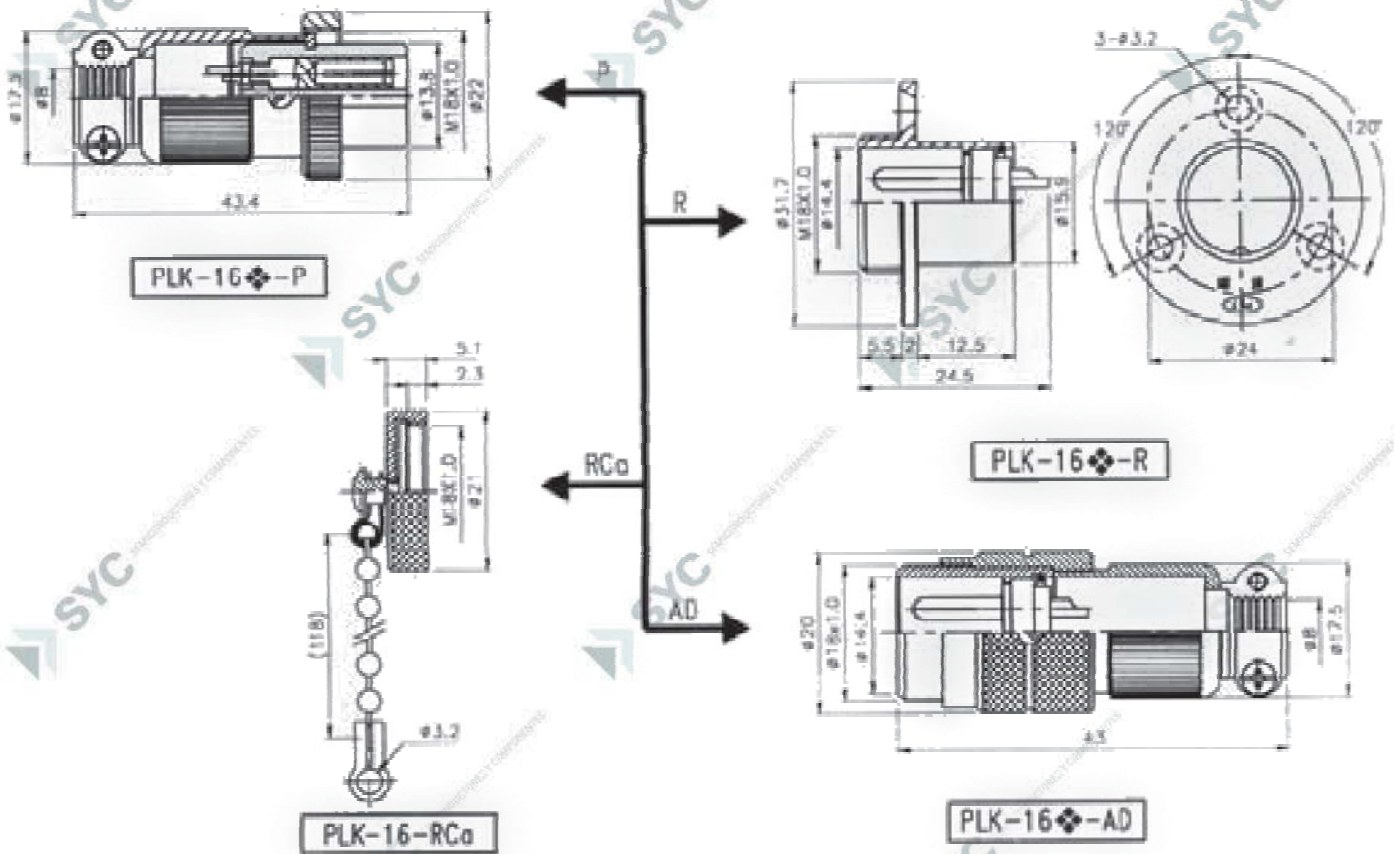






**CODIGO**

PLT-16X-XX

**DESCRIPCION**

Conector tipo industrial serie PLT de X vias



◆ No. of contacts	2	3	4	5					
Contacts Configuration									
Rated current/voltage	5A 125V	5A 125V	5A 125V	5A 125V					
Operation limit voltage (AC.V.rms)	200	200	200	200					
Withstanding voltage (AC.V.rms) 1 minute	1000	1000	1000	1000					
Insulation resistance (MΩ MIN.) at DC 500V	1000	1000	1000	1000					
Contact resistance (mΩ MAX.) at DC 1A	3	3	3	3					
Pin diameter (φmm)	1.5	1.5	1.5	1.3					