

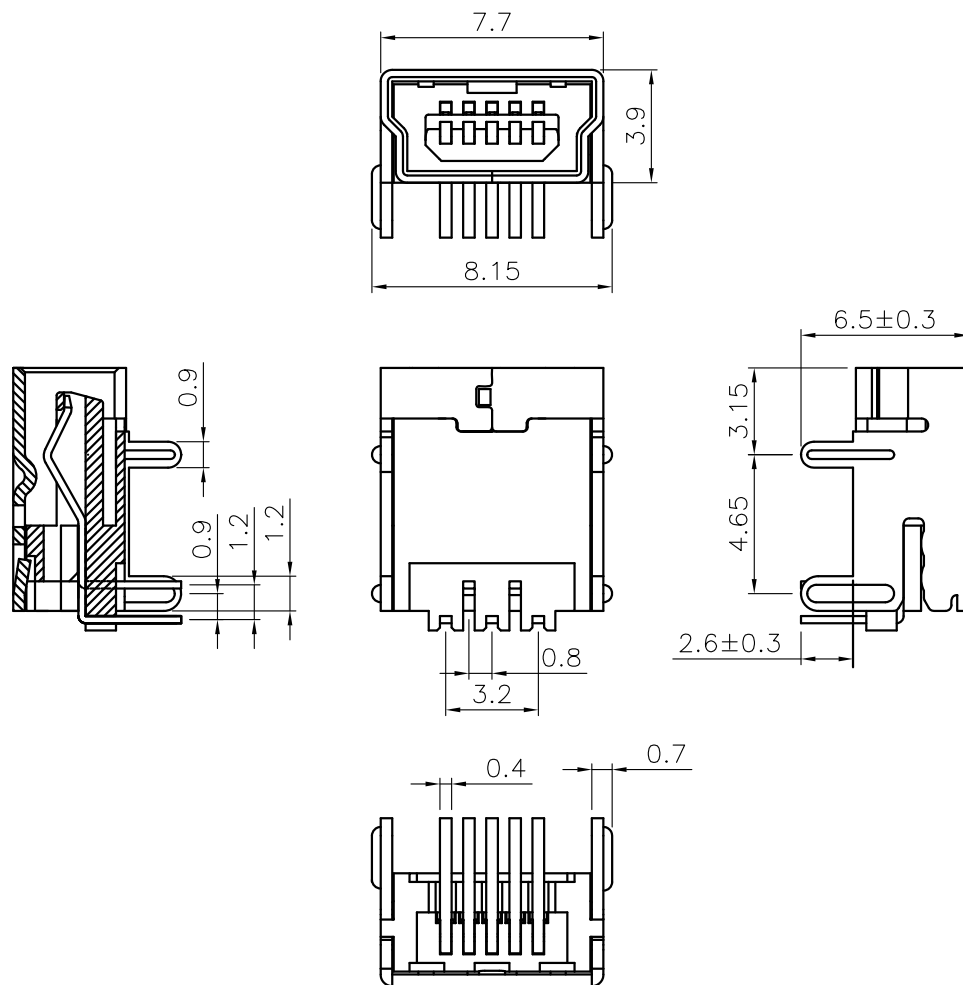
1

2

3

4

5



Specifications:

Current Rating:1.0 AC/DC

Voltage Rating:30V AC/DC

Contact Resistance:20m ohm. Max.

Insulation Resistance:1000M ohm. Min

Withstanding Voltage:750V AC For One Minute

Operating Temperature Range:-40°C to + 105°C

Material and Finish:

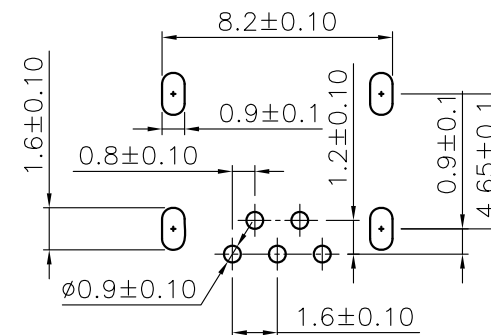
Insulator:High Temp. Plastic(UL94V-0)

Contact:Copper Alloy

Plated:Selective Gold Plated

5075BMR-05

CONECTOR USB B MINI PARA PCB 90* 5V



P.C.B. Layout

RoHS Compliant



www.sycelectronica.com.ar

GENERAL TOLERANCE:

.X=±0.2

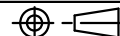
.XX=±0.15

UNIT: MM

SCALE:

SHEET: 1 / 1

PROJECTION:



DESCRIPTION:

MINI USB 5S 90° DIP TYPE

5075BMR-05

SIZE

A4

A

B

C

D