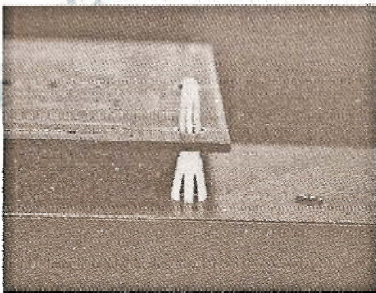


**CODIGO**

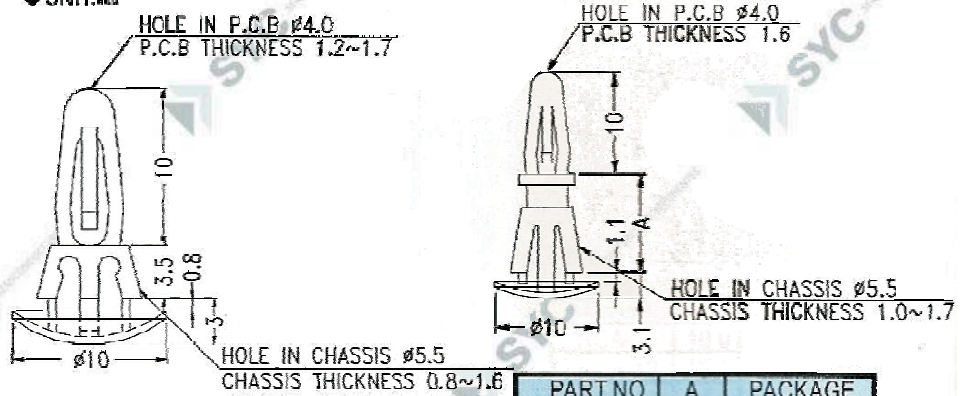
PCBS-10

**DESCRIPCION**

Soporte para circuito impreso largo 10.0mm



- ◆ MATERIAL: NYLON 66(UL)
- ◆ FLAME CLASS :94V-2
- ◆ COLOR: NATURAL
- ◆ UNIT: mil



PART NO	PACKAGE
PCBS-3	1000

PART NO	A	PACKAGE
PCBS-6	6.3	1000
PCBS-10	10.0	
PCBS-12A	12.0	
PCBS-12	12.7	